

ILS Rim Panic Interface



Overview

Controlled by the Lenel® OnGuard® system, the ILS Intelligent Locking System with rim panic interface provides an economical way to manage lower-traffic exit doors. Easy and efficient wireless installation is achievable in as little as 45 minutes on wooden or hollow metal doors, after the door has been prepared. The kit contains all the components needed for a left- or right-handed installation.

The rim panic interface incorporates all the versatility of the ILS lock series, including wireless connectivity. This lock is compatible with multiple door types and reader technologies. Its built-in radio enables wireless communications with decision-making at the lock point.

ADA compliant and applicable to new construction or retrofit applications, the ILS lock with rim panic interface is available in a range of user-selectable handles, finishes and chassis types. Designed to operate in multiple modes, this lock is a versatile option engineered to meet each application's specific security requirements.

Standard Features

- ADA compliant
- Built-in radio enables a wireless, communicating door
- Lock memory retains information even when the batteries are removed
- User-replaceable, standard alkaline 1.5V batteries
- Suitable for new construction or retrofit installation
- Request-to-Exit input
- Door contacts can trigger or authenticate alarm events
- Single and double door applications in right- or left-hand orientation
- Multiple operating modes, including locked, unlocked, blocked, emergency lock and more.

ILS Rim Panic Interface

Base System Descriptions

Operations

Number of Cardholders	Up to 5,000
Event Transaction History	1,000 events in lock memory
Credential Verification	Less than 1 second
Visual/Audible Communications	Red/Green LED lights. Audible indicators.
Hand	Field Reversible
Modes	Standard, Office, Office First, Blocked, Emergency Lock, Emergency Unlock, Facility/Foyer

Mechanical

Rim Panic Compatibility	Von Duprin 98/99 Rim Exit Device (sold separately)
Dimensions of Interface	Inside Trim (WxH): 3.93 x 6.74 in (99.8 x 171.2 mm) Mounting Plate (WxHxD): 3.15 x 8.58 x 0.78 in (80 x 218 x 2 mm)

Electronic, Power, Communications

Power Supply	3 standard alkaline 1.5 volt batteries
RFID	Modulation: 900 MHz Frequency Range: 902-929 MHz Transmission/Encryption: AES-128 bit RF Data rate: 40 kbps
Communication Range	Up to 100 feet with no obstructions
RF Interference Avoidance	Configurable dynamic channel switching
Magstripe and RFID Readers	MagStripe, iClass, Mifare, Prox IP46 iCLASS and 125KHz reader IP23 MAG readers
Inputs	Alarm Inputs Request to Exit input

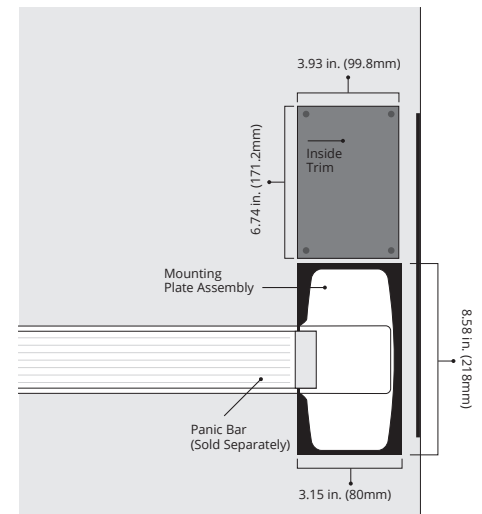
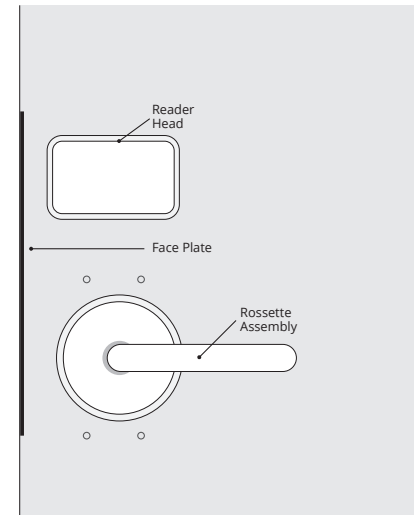
Regulatory

ADA	ADA Compliant
UL	UL 10C approved for panic exit hardware
FCC	Part 15
Additional Certifications	RoHS, CE, Ontario Fire Code (AFC) 3.3.4.5

Environmental

Operating Temperature	0° F / 131° F (-18° C / 55° C)
Humidity	85% non-condensing

System Diagrams



lenel.com

(866) 788-5095

Specifications subject to change without notice.

©2015 Lenel Systems International, Inc. All rights reserved.
All trademarks are the property of their respective owners.

Lenel is a part of UTC Building & Industrial Systems,
a unit of United Technologies Corporation.

2015/03 (80641)