

LNL-1300e

Flexible Network-Connected Door I/O Module



Overview

The LNL-1300e is a flexible network-wired Lenel hardware module that interfaces either a single door (with 1 or 2 readers) or a set of I/O points to OnGuard® systems version 7.1 or higher.

The LNL-1300e allows doors or auxiliary I/O to be conveniently wired to an OnGuard system using structured cabling and Ethernet, rather than via dedicated RS-485 wiring. When combined with a compatible Lenel Intelligent System Controller, this allows either a 100% Ethernet solution or a hybrid system to be deployed, depending on the security and IT infrastructure considerations of the installation. The LNL-1300e provides the same Local I/O linking and fallback options as traditional serial-connected modules, but with the convenience and flexibility of network connection.

The LNL-1300e can be configured in one of two operating modes. When in the network-connected single door controller mode, the LNL-1300e allows one or two readers to be connected, controlling a single door. Two auxiliary inputs and one auxiliary relay output are also available, in addition to dedicated exit request and door contact inputs and a door lock output relay. And, when in the network-connected I/O module mode, the LNL-1300e allows up to four auxiliary inputs and two auxiliary relay outputs to be configured using Lenel's OnGuard system.

Features & Functionality

- Supports 10/100 Ethernet communications to Lenel Intelligent System Controllers
- Advanced Encryption Standard (AES) 128-bit algorithm for communications
- Mounts into a standard triple gang switch box for a compact footprint
- Firmware stored in flash memory and background download of firmware updates supported
- Custom or standard end-of-line resistors supported

Features when in network-connected single door controller mode:

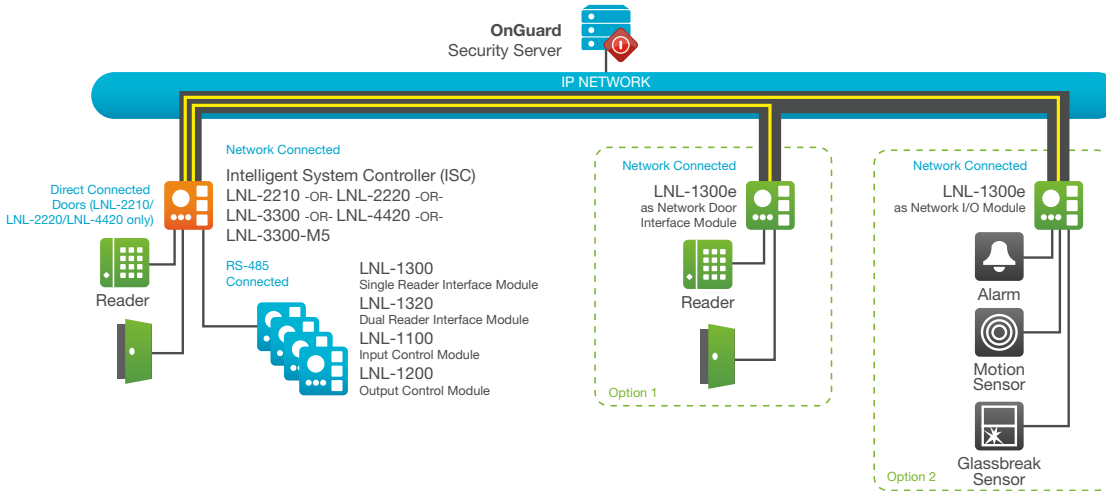
- Two reader ports: magnetic stripe, wiegand, or OSDP
- Paired or single reader support
- Open Supervised Device Protocol (OSDP) compliant
- Two outputs; one dedicated for a strike and one general purpose (Form C, 5A @ 28Vdc)
- Two fixed inputs for door contact and request to exit (REX)
- Two programmable auxiliary inputs

Features when in network-connected I/O module mode:

- Two general-purpose auxiliary relay outputs (Form C, 5A @ 28Vdc)
- Four programmable auxiliary inputs

LNL-1300e

System Diagram



Specifications

Power input	PoE Class 3 power input 12.95W (44.16 BTU/hour), compliant to IEEE 802.3af, or 12Vdc +/-10% 900 mA (36.83 BTU/hour) maximum power supply Note: for UL installations, POE powered devices shall not be used. Power for these devices must be provided by a UL 294 listed power limited source (12Vdc)
Power Output	Reader port 1: 12 VDC @ 150 mA, 6.14 BTU/hour Reader port 2: use AUX power port AUX power port: used to power reader 2 and/or strike, not to exceed 650 mA/26.62 BTU/hour Thermally protected
Network Port	10BaseT/100BaseTX Ethernet, IPv4 addressing, NIST Validated 128 bit AES Encryption
Inputs	Four general purpose, programmable circuit type. In Door Controller mode, two general purpose plus dedicated REX and Door contact inputs
Outputs	Two relays - Form-C, 5 Amp, 28 Vdc. In Door Controller mode, one general purpose plus dedicated strike relay output
Reader Ports	Two TTL reader ports or one 2-wire OSDP reader port capable of supporting two readers Reader Port One: Can be configured for one TTL reader, or for one or two OSDP readers Reader Port Two: One TTL reader Note: Note: if two OSDP readers are used, Reader Port Two is not used
LED	11 status LED's. TTL, two wire or one wire bi-color support
Buzzer	Can be controlled by LNL-1300e when one-wire LED mode is selected
Dimensions	5.5"W x 2.75"L x .96"H (140mm x 70mm x 24mm) without bracket 5.5"W x 3.63"L x 1.33"H (140mm x 92mm x 34mm) with bracket
Temperature	Operating: 32°F to 158°F (0°C to 70°C), For UL installations: -10°C to +49°C (14°F to 120°F) Storage: -67°F to 185°F (-55°C to 85°C)
Humidity	10 to 95% relative humidity, non-condensing (RHNC), For UL installations: 85+/-5% at 30+/-2°C (86°F)
Approvals	FCC Part 15, Class A, CE Mark, RoHS, WEEE, UL 294, UL294B, CSA-C22.2 No. 205, UL1076, ULC/ORD-C1076

Note: For UL, the Power Sourcing Equipment (PSE) such as a PoE enabled network switch and/or PoE power injectors must be UL Listed under UL294.



lenel.com

(866) 788-5095

Specifications subject to change without notice.
©2015 United Technologies Corporation. All rights reserved.
All trademarks are the property of their respective owners. Lenel is a part of UTC Building & Industrial Systems, a unit of United Technologies Corporation.

2015/10 (82756)